

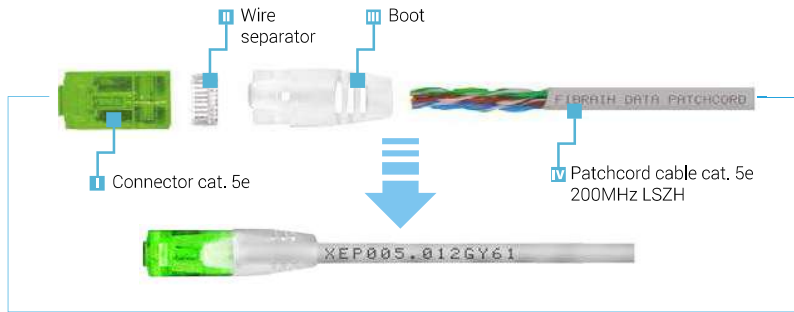
# Patchcord cat. 5e

## Patchcord cat. 5e



### Patchcord cat. 5e UTP

Manufacturing technology



### UTP Distinctive features



Bending radius reduction system



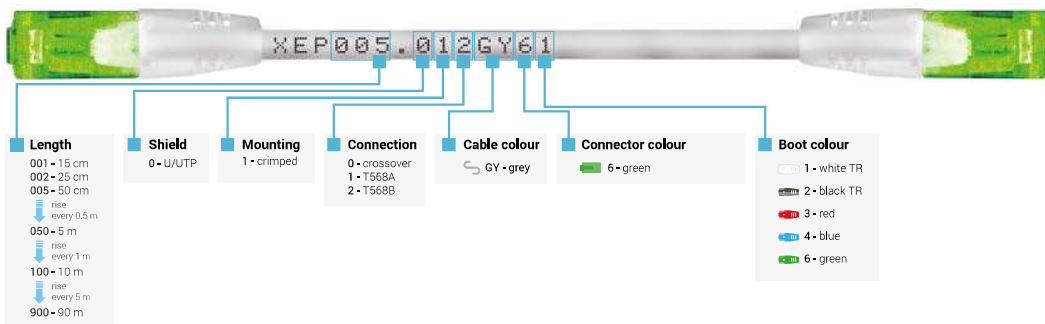
Cable frequency > Cat. 5e

### Applications

- Connection to a user's point
- Connection to a consolidation point
- Supplied in Data Center and consolidation points
- Complete transmission channel

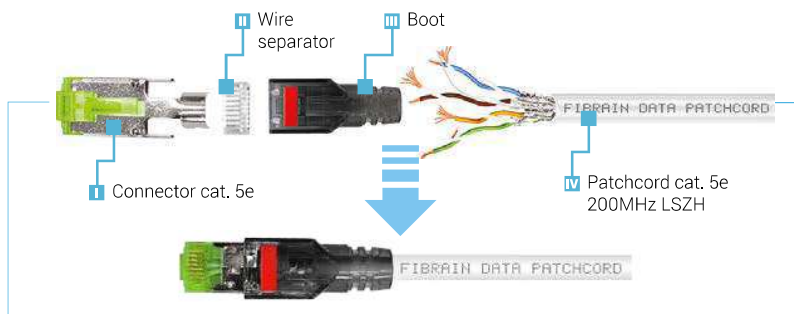


### Manufacturing possibilities



### Patchcord cat. 5e FTP/STP

Manufacturing technology



### FTP/STP Distinctive features



Bending radius reduction system



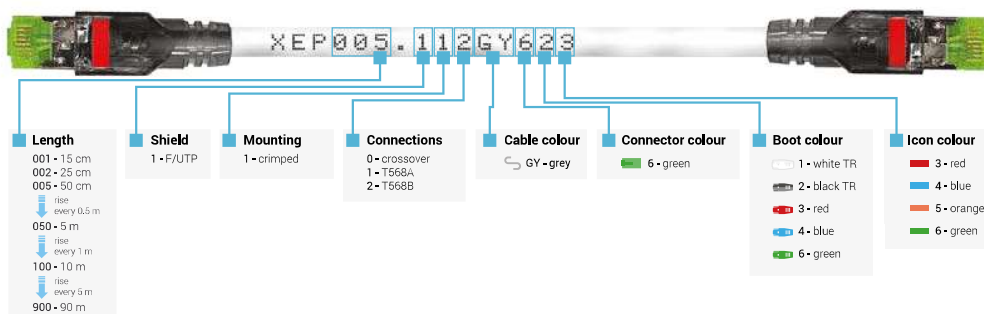
Cable frequency > Cat. 5e

### Applications

- Connection to a user's point
- Connection to a consolidation point
- Supplied in Data Center and consolidation points
- Complete transmission channel



### Manufacturing possibilities





## Manufacturing

STANDARDS

UTP

Cable colour	Length	
 grey	0.5 m	XEP005.012GY61
	1 m	XEP010.012GY61
	2 m	XEP020.012GY61
	3 m	XEP030.012GY61
	5 m	XEP050.012GY61
	10 m	XEP100.012GY61

FTP/STP

Cable colour	Length	
 grey	0.5 m	XEP005.112GY623
	1 m	XEP010.112GY623
	2 m	XEP020.112GY623
	3 m	XEP030.112GY623
	5 m	XEP050.112GY623
	10 m	XEP100.112GY623

### Features

- Possibility of performing specifically designed solution to manage the infrastructure on a physical structure
- Made by Fibrain with the use of patented components which comply with all necessary mechanical norms in ANSI/ICESA S - 102-732-2009
- Twisted cable pairs ensure full compatibility with dynamic parameters for the dedicated line and transmission channel in accordance with ISO/IEC 11801:2011, EN501732011
- Durable elements ensure number of cycles in accordance with IEC 60603-7-x, TIA/EIA 568-0.2
- Clear marking elements of structured cabling system in order to use solid system,
- Wire separator