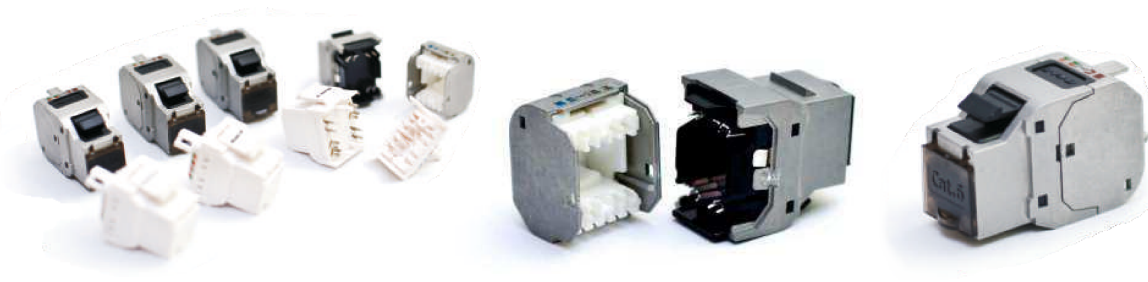


Cat. 6 Keystone

FTP

01



Keystone XQ 100.450

Category 6 FTP

Quick 6

FIBRAIN DATA Structural Cabling Quick Series, fully satisfies the requirements of cat. 6 250MHz (class E) in accordance with standards ANSI/TIA/EIA 568-B.2-1 (cat.6), ISO/IEC 11801: 2002, EN 50173: 2002, EN 50173-1: 2004, IEC 60603-7-4.

Also all components of the transmission line complete ROHS 2002/95/WE Directive.

Components of Quick series are characterized by high quality of transmission and mechanical parameters. They often exceed requirements of valid standards. Components fully provide 250 MHz (Class E) transmission.

FIBRAIN DATA Screened keystones Quick series, fully comply with requirements of cat. 6 (Class E) and perform transmission of 250 MHz. Tool-less cable termination method has been used. Specific design affects performance parameters. Minimizes wires unbraiding while termination and significantly accelerates mounting time. Special designed housing shape fully protects cable wires against unauthorised pulling out. Double colouring system enables wires configuration in sequences 568A and 568B. Through appropriate selection of material and contacts' shape, keystone modules are characterized by fully resistance to connection RJ-11 and RJ-12 plugs. RJ-45 port is equipped with individual, automatic anti-dust cover. Keystone can be used in straight and angled adaptors.

Characteristics:

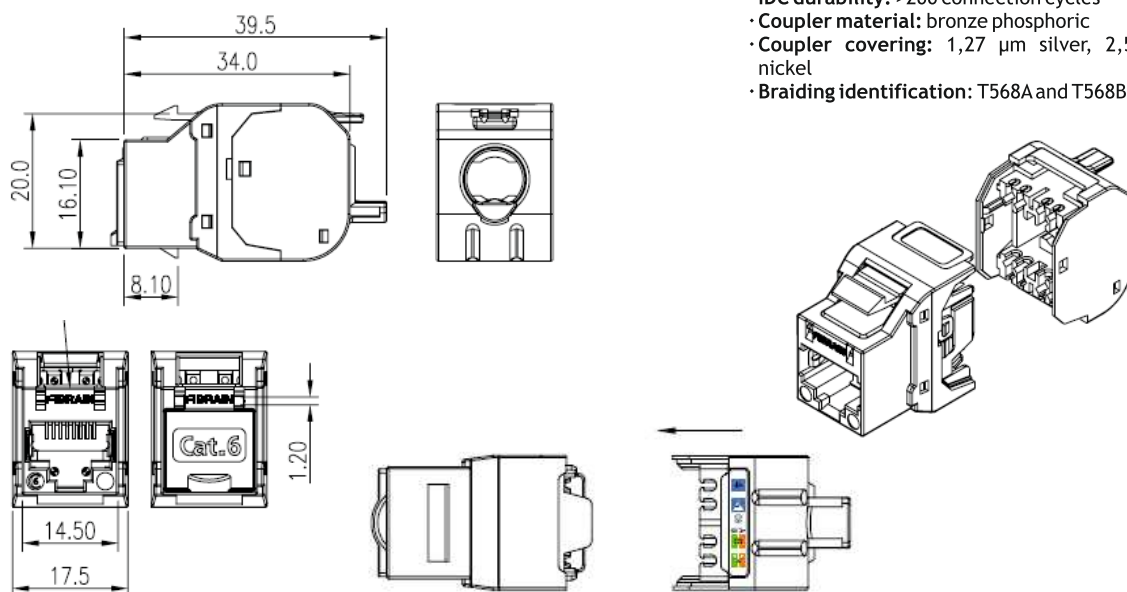
- Tool-less mounting
- Housing which minimizes wires un-braiding
- Non-flammable materials UL-94V-0
- Anti-dust cover
- Sequences identification: 568A and 568B

Electric Parameters:

- Maximum current value: 1,5A
- Insulation resistance: 500 MOhm min
- Contacts resistance: 10 MOhm max
- DC resistance: 0,1 Ohm max
- According to norm: IEC 60603-7 Class E
- According to norm: TIA568-B Cat.6

Mechanical Parameters:

- Jack: shielded RJ45 cat.6
- Frame: UL 94V-0
- Contacts material: bronze phosphoric
- Contacts: OD: 0,46 mm, covered with 50 µm of gold and 100 µm of nickel
- Contacts durability: >750 connection cycles according to norm: EN 60603-7
- IDC connectors: tool-less IDC
- Wire diameter: 0,4- 0,65 mm (AWG 26-22)
- IDC durability: >200 connection cycles
- Coupler material: bronze phosphoric
- Coupler covering: 1,27 µm silver, 2,5 µm nickel
- Braiding identification: T568A and T568B


XQ100.450

Example: XQ100.450 keystone Fibrain DATA Cat 6 FTP