



■ Applications:

- Used for the protective connection between two or more optical cables
- Suitable for single core fiber optic cable and ribbon fiber optic cable
- Suitable for such laying modes in fiber optical cable circuit as aerial, pipelined, direct-buried installation and so on

■ Environment condition:

- Environmental temperature -40C +65C
- atmospheric pressure 70-106KPa

■ Technical specification:

- Airproof performance: Airing pressure inside box 100Kpa pointer immovability after 24 hours or no air bell within 15min when parked in the common temperature water.
- Re-encapsulation performance: no change in the index of air-proof performance after three times of repeat encapsulation
- Insulation resistance: >2X10⁴M Ohm
- Voltage-resistance strength under the effect of 15kvDC/1min, non-puncture, no arc-over

Size, capacity and schemats

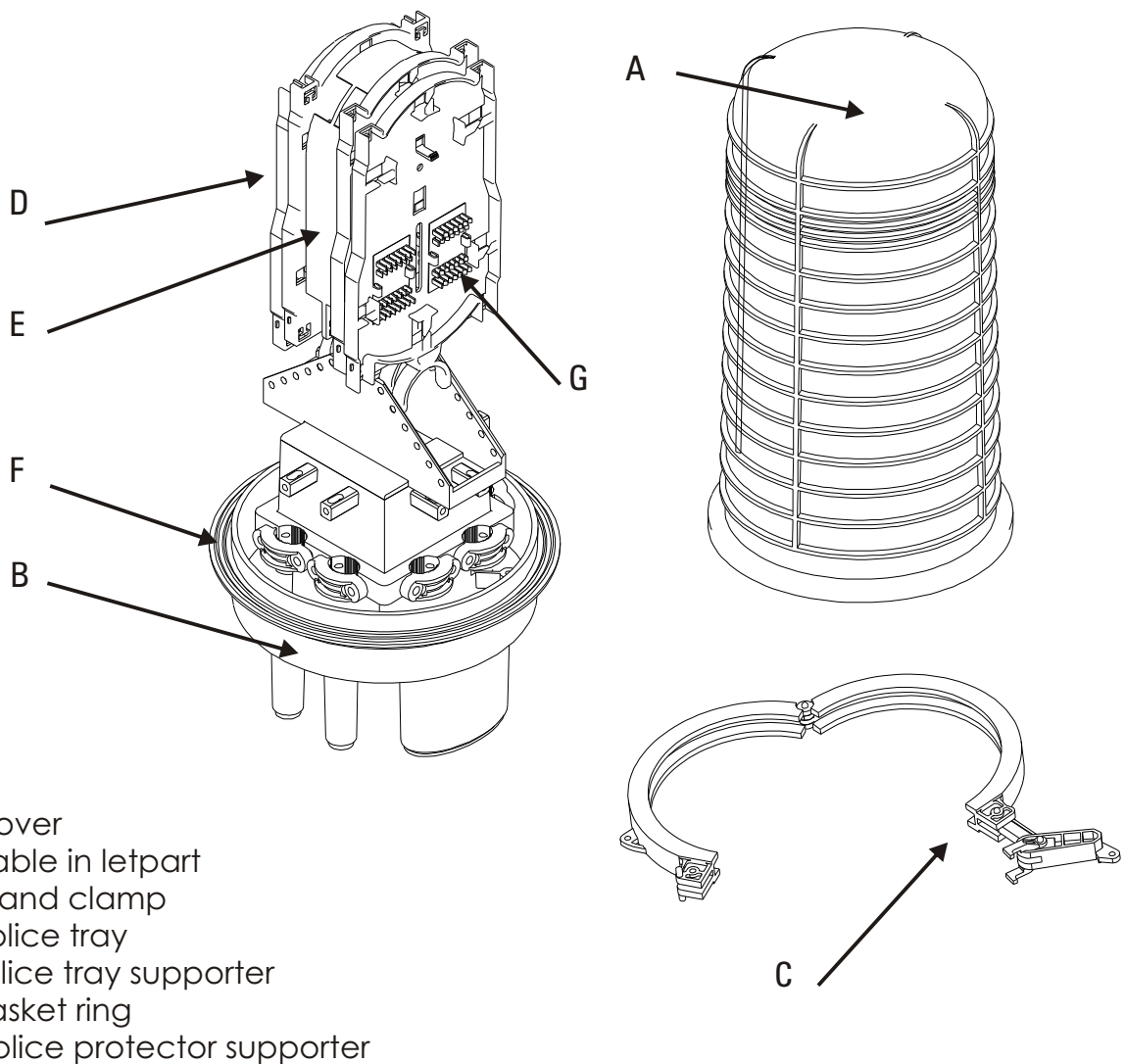
Fibrain Optical Clouser

PC-ES-2024



Size and capacity:

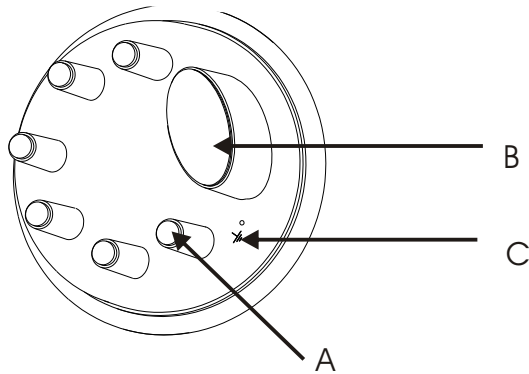
Type	Size(mm) φ×H	Single Max. Capacity (core)	Quantity of the splice tray	The diameter of the suitable optic cable
PC-ES-2024	260x465	240	1-10	φ 6-φ17.5(φ23)mm



Size, schemats and ordering

Fibrain Optical Clouser

PC-ES-2024



A - small entry port
B - oval entry port
C - grounding connector

Entry ports specification:

Type	Size(mm) ϕ	The diameter of the suitable optic cable (mm) ϕ
A	25	6-17.5
B	75x40	12-23

Ordering informations:

FB-ES-2024 Fibrain Optical clouser redy for 24 fiber cables.

Box contain:

- cover 1 pcs
- cable in letpart 1 pcs
- band clamp 1 pcs
- splice tray for 24 fiber 1 pcs
- gasket ring 1 pcs
- pool hanger 1 pcs
- small port heatshrink tube 6 pcs
- oval port heatshrink tube 1 pcs
- mounting accessories

Additional item:

FB 7402 Fibrain Optic splice tray for 24 fiber cables.

FB 7402

